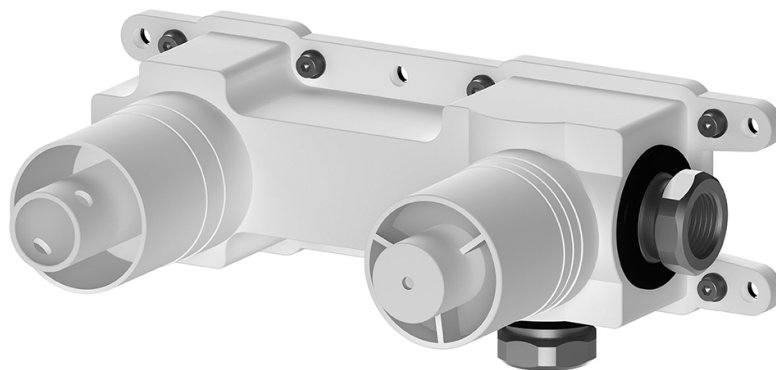


010 1800 Steinbox Concealed set 1/2"

with water-tight concealed box, with ceramic cartridge, with noise absorbing mat

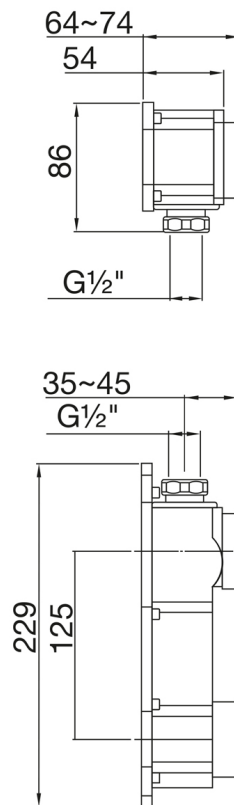
PRODUCT IMAGE



010 1800 Steinbox Concealed set 1/2"

with water-tight concealed box, with ceramic cartridge, with noise absorbing mat

TECHNICAL DRAWING



010 1800 Steinbox Concealed set 1/2"

with water-tight concealed box, with ceramic cartridge, with noise absorbing mat

EXPLODED VIEW

